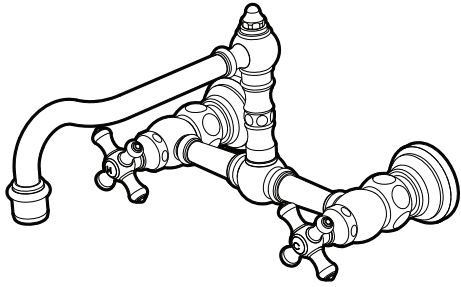


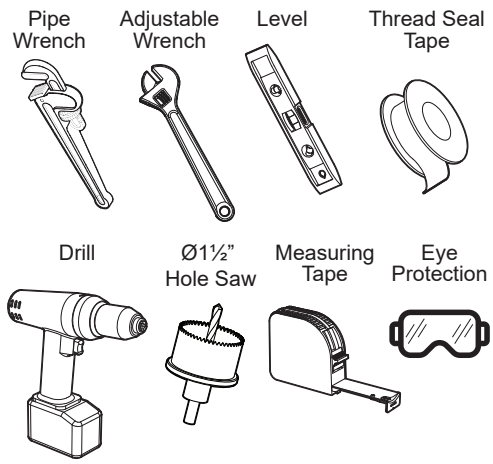
INSTALLATION INSTRUCTIONS

SB-3242 Wall Mounted Faucet



92-SB-3242-01

TOOLS & SUPPLIES NEEDED



IMPORTANT

SAFETY TIPS:

Be sure to read and understand all instructions before beginning installation.

Inspect all connections after installation.

Cover the drain to avoid loss of parts.

Be sure to wear proper eye protection.

Do NOT over tighten any connections or damage may occur

Shut OFF water supplies before beginning installation

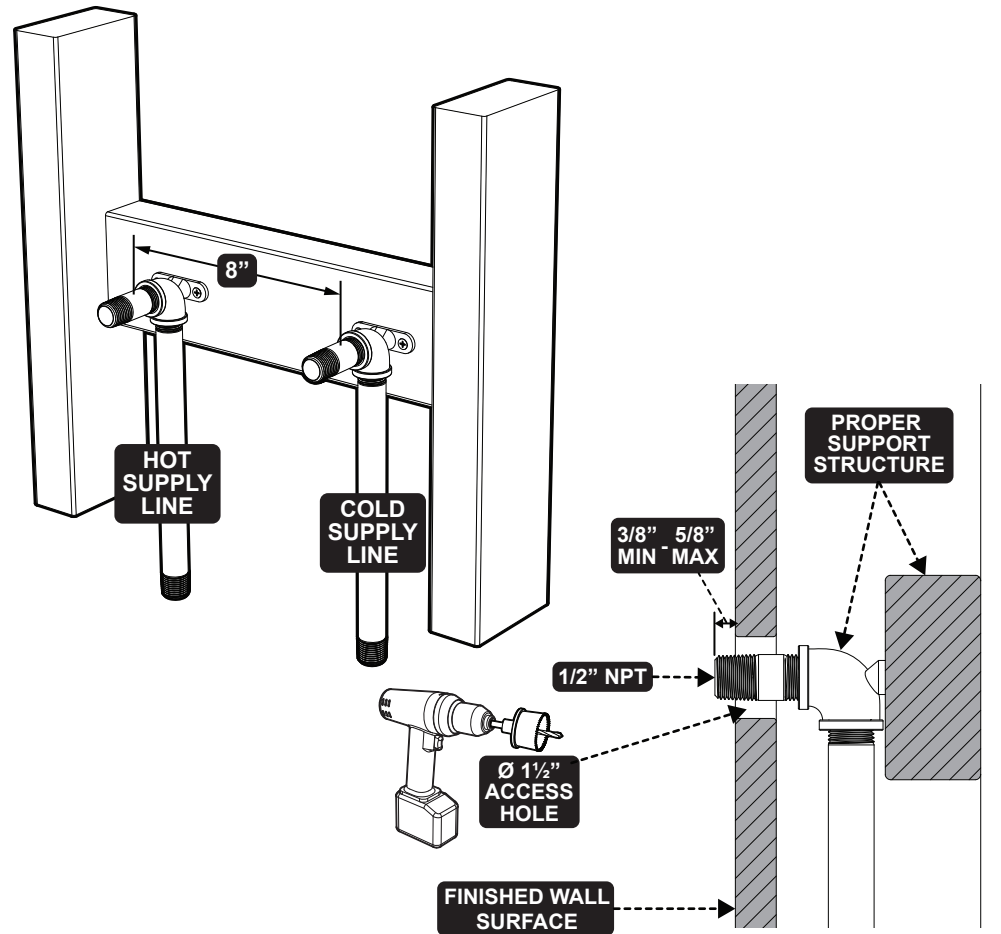
Observe all local plumbing and building codes

MAINTENANCE:

Your new product is designed for years of trouble-free performance. Keep it looking new by cleaning it periodically with a soft cloth. Avoid abrasive cleaners, steel wool, and harsh chemicals as these will dull the finish and void your warranty.

SITE PREPARATION

Ensure proper framing structure is present to support plumbing and product during use. Secure rough plumbing to framing structure. Rough plumbing must extend beyond the finished wall surface between 3/8" - 5/8". Provide a Ø1½" access hole in the finished wall surrounding each pipe exiting the wall. Cold Supply Line and Hot Supply Line MUST measure 8" from the center of one pipe to the center of the other pipe. Faucet inlet size is 1/2" NPT Female.



NEED HELP?
For additional assistance or service please contact:



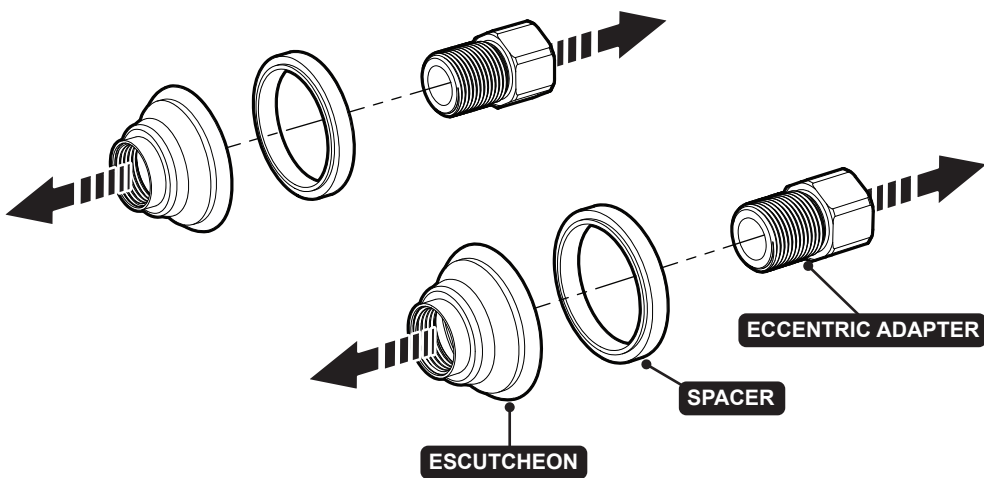
800-537-2107



www.speakman.com

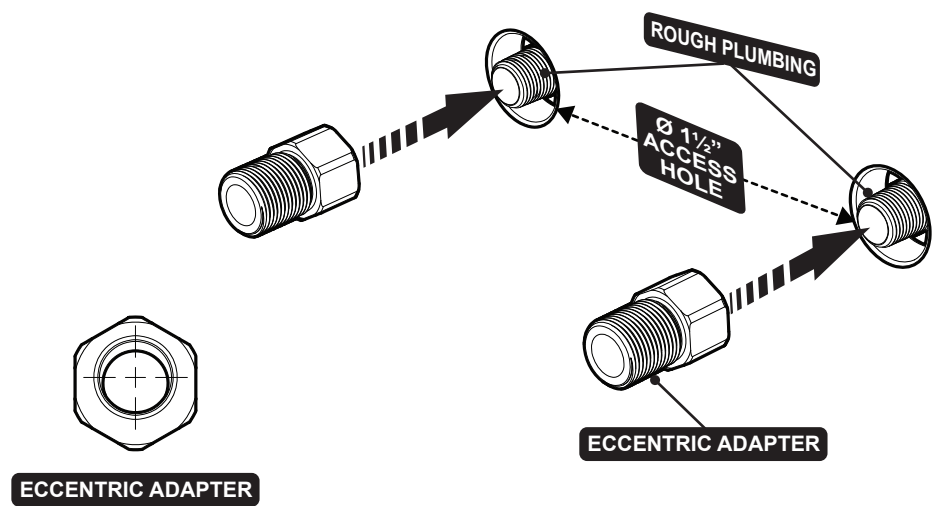
PREPARE ECCENTRIC ADAPTERS

- 1 Ensure water supplies are turned OFF. Unthread Escutcheons and Spacers from Eccentric Adapters. Set aside for future use.



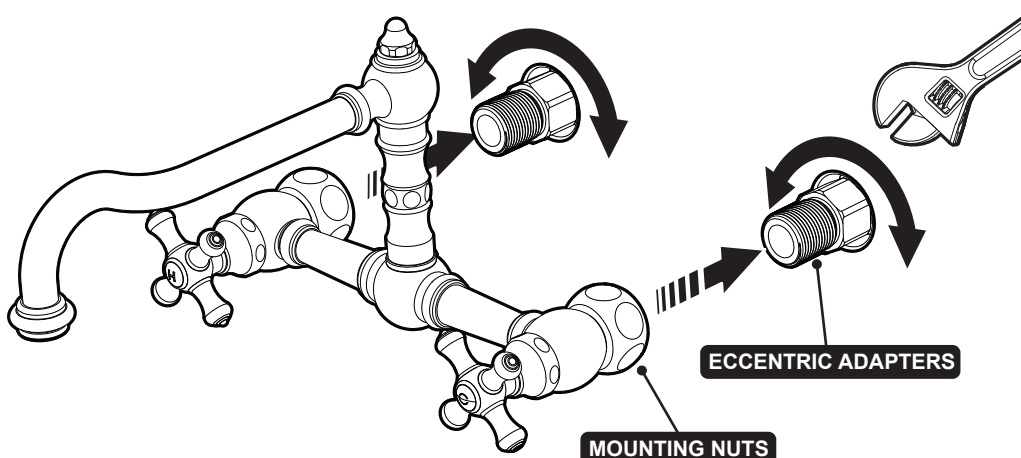
TEST FIT ECCENTRIC ADAPTERS

- 2 The Eccentric Adapters allow for 1/16" of adjustment to correct misalignment of rough plumbing. Thread Eccentric Adapters onto 1/2" NPT rough plumbing exiting the finished wall surface. Hand tighten only.



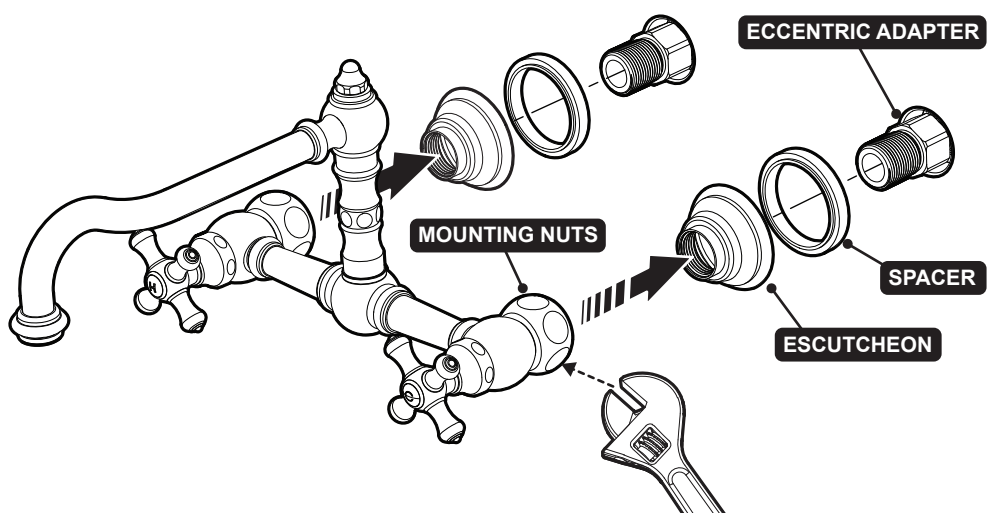
ALIGNMENT OF ECCENTRIC ADAPTERS

- 3 Slightly rotate the Eccentric Adapters left and right until the male threads of the Eccentric Adapters align with the Female Threads of the Mounting Nuts on the Faucet. Hand tighten Mounting Nuts to the Eccentric Adapters. Once properly aligned, wrench tighten the Eccentric Adapters to the rough plumbing, then remove Faucet from the Eccentric Adapters.



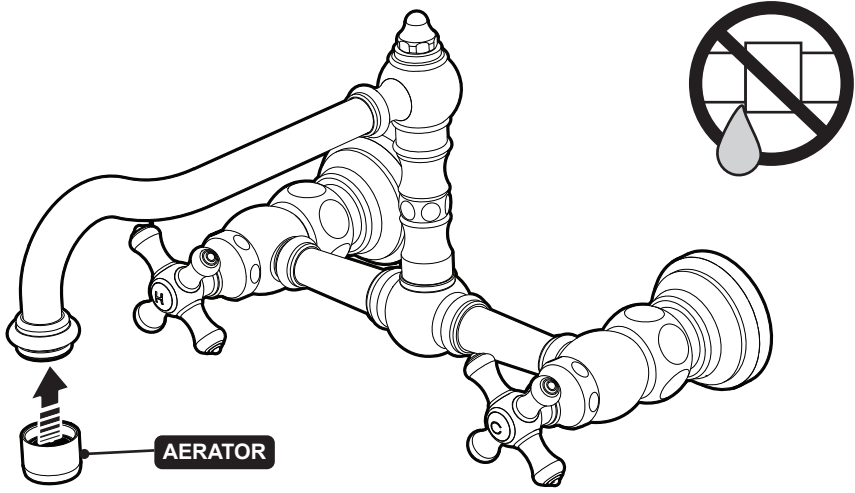
INSTALL FAUCET

- 4 Align Spacers to Escutcheons. Thread Escutcheons onto Eccentric Adapters. Hand tighten firmly. Align Faucet to Eccentric Adapters. Thread Mounting Nuts onto Eccentric Adapters and wrench tighten connection.



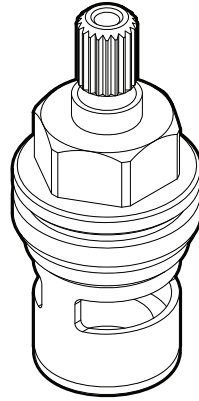
FLUSH SYSTEM AND INSTALL AERATOR

- 5** Turn ON water supplies and inspect for leaks. Turn ON the COLD and HOT handles and flush the system thoroughly. Turn OFF the COLD and HOT handles. Install Aerator to Spout Outlet and hand tighten into position.

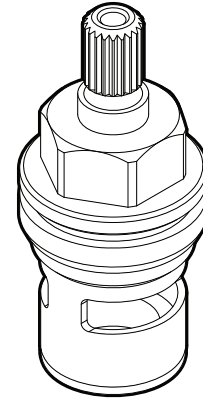


REPAIR PARTS

RPG05-115717
COLD REPAIR CARTRIDGE



RPG05-114665
HOT REPAIR CARTRIDGE



RPG05-114678
REPLACEMENT AERATOR



PRODUCT WARRANTY

This product is warranted to be free of defects in material and workmanship for the period listed below from the date of installation.

Consumer/Residential: Limited Lifetime Warranty
Commercial Use: 5 Year Limited Warranty

Speakman warrants to its purchasers only ("Buyer") that goods are sold free from defects in materials and workmanship and conform to Speakman's specifications at the time of manufacturing, provided the goods are properly installed and maintained. Buyer's sole and exclusive remedy for any goods that may prove to have had a non-conformance within the Warranty Period shall be, at Speakman's sole option, the repair or replacement of the non-conforming goods. For additional information please go to www.speakman.com.

CALIFORNIA PROPOSITION 65



CALIFORNIA PROPOSITION 65:

WARNING: This product can expose you to chemicals including lead, which is known to the State of California to cause cancer and birth defects or other reproductive harm. For more information go to www.P65Warnings.ca.gov.

Wash hands after installation, repair, or removal of this product.

ROUGH-IN DIAGRAM

COMPLIANCE

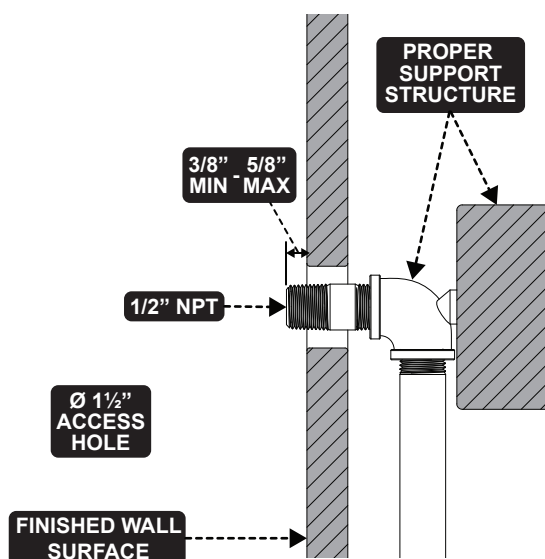
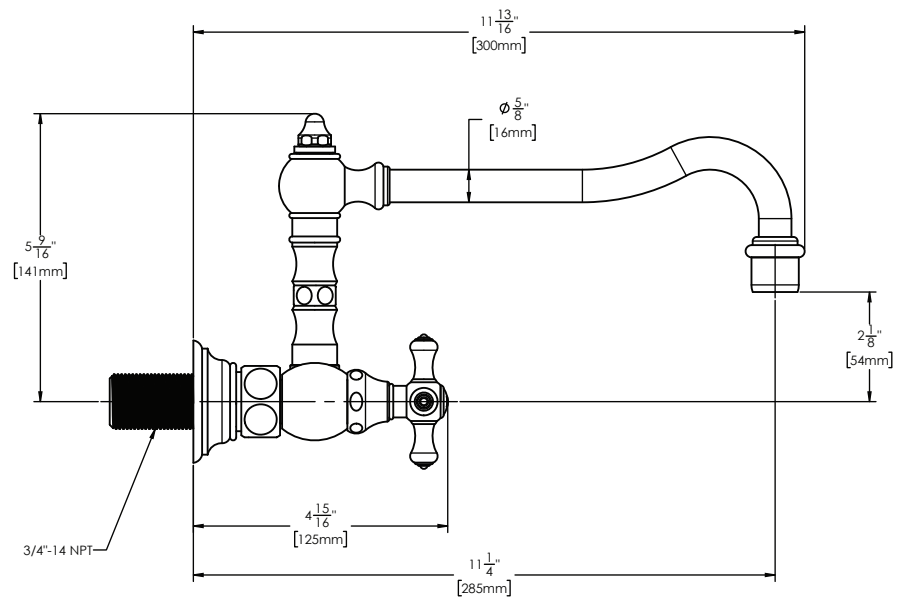
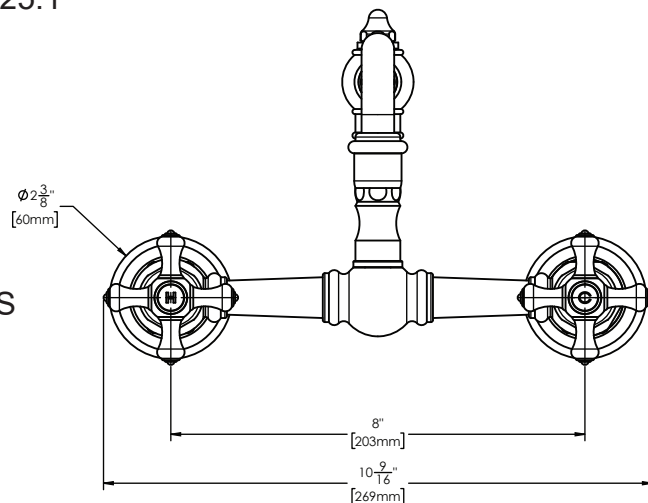
ASME A112.18.1/CSA B125.1
CEC
DOE
NSF/ANSI/CAN 61
NSF/ANSI 372

CONNECTIONS

1/2" NPT FEMALE INLETS

FLOW RATE

1.8 gpm (7.6 L/min)



DIMENSIONS SUBJECT TO CHANGE WITHOUT NOTICE.